

WARNING

Omega Pacific climbing products are designed specifically for climbing, mountaineering, and technical rope work.

Omega Pacific steel carabiners are designed and tested specifically for fire, rescue, industrial and technical rope work. The user is responsible for the following NFPA, OSHA, ANSI, and all other applicable state and federal regulations regarding the use of these products.

All of these activities are inherently dangerous and present the risk of **SERIOUS INJURY** and/or **DEATH**.

This product information contained in catalogs and brochures is not a substitute for qualified personal instruction. Any person using Omega Pacific products is responsible for obtaining qualified instruction on the proper use, techniques and limitations involved in such use.

Inspect all equipment before each use and destroy any gear that is damaged, worn or does not pass inspection. Any person using Omega Pacific products is responsible for the proper care and maintenance of these products.

IMPROPER USE, ABUSE AND/OR LACK OF PROPER MAINTENANCE WILL INCREASE THE RISK OF SERIOUS INJURY OR DEATH.

Any person using Omega Pacific products in any manner assumes all risks and accepts full responsibility for any damage or injury, including death, which may result from the use of any Omega Pacific product.

Any litigation involving this product will be in Washington State pursuant to Washington law.

The Distributor-wholesaler-retailer is responsible for providing this warning information to the customer.

This warning must accompany all shipments/sales of Omega Pacific products.

Omega Pacific
11427 West 21st Ave
Airway Heights, Washington 99001
800.360.3990 toll-free
509.456.0194 fax
509.456-0170 international
info@omegapacific www.omegapac.com



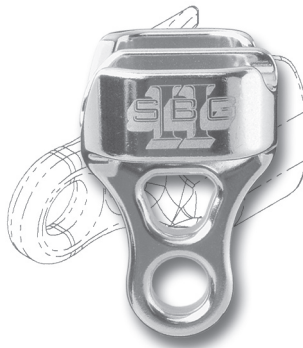
SBGII

It Is Possible



Omega Pacific

SBGII
Belay/Rappel Device



Based on a design by Greg Lowe, the SBGII is the smoothest and most versatile device available.

By incorporating a rigid stem on this device, climbers can go from full lock-off to whipping rope out in a single smooth action. No more binding up as the device tries to free itself! And the amount of friction can be completely adjusted to suit your particular need.

(see images inside)



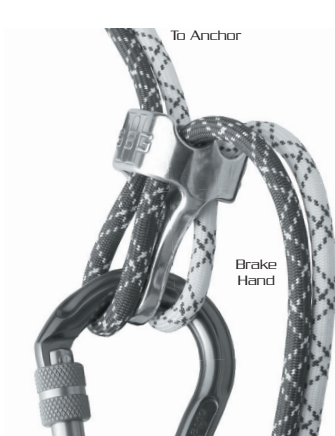
Rigged for belaying with single 9.4mm or larger ropes

When climbing with most single ropes, a lighter partner or on slabs, clip in to the bottom hole and belay off either the V-Slots or U-Grooves for the perfect amount of friction



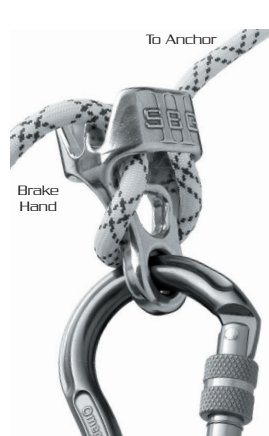
Rigged For belaying with small rope use (8mm-9.2mm)

Attached to the second clip-point, the SBGII is perfect for skinny ropes, (either singles or doubles).



Rigged for Double Rope Rappel

Use a double-rope rappel for a slow, controlled descent.



Rigged for rappels with 9mm or smaller single ropes.

Wrap smaller, single ropes around the rigid stem and rappel figure 8 style, for the ultimate in control and safety.

